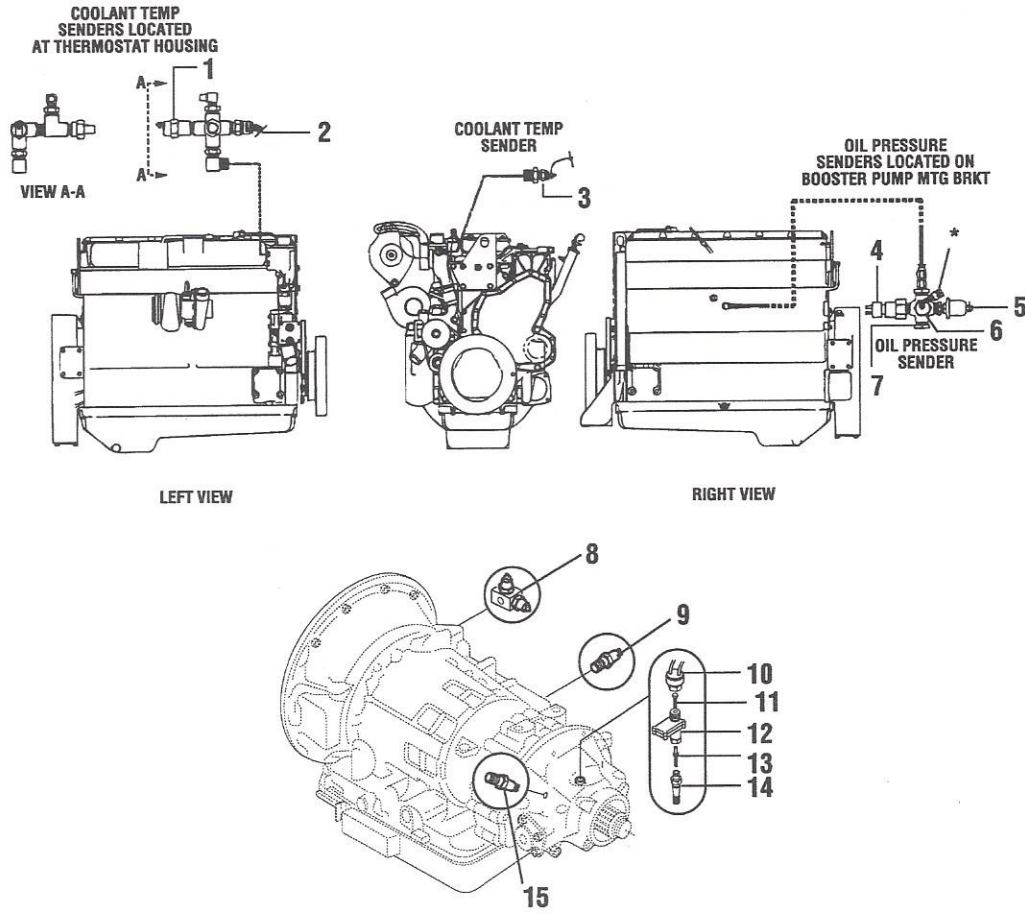


Chapter 7

Electrical System

Sending Units

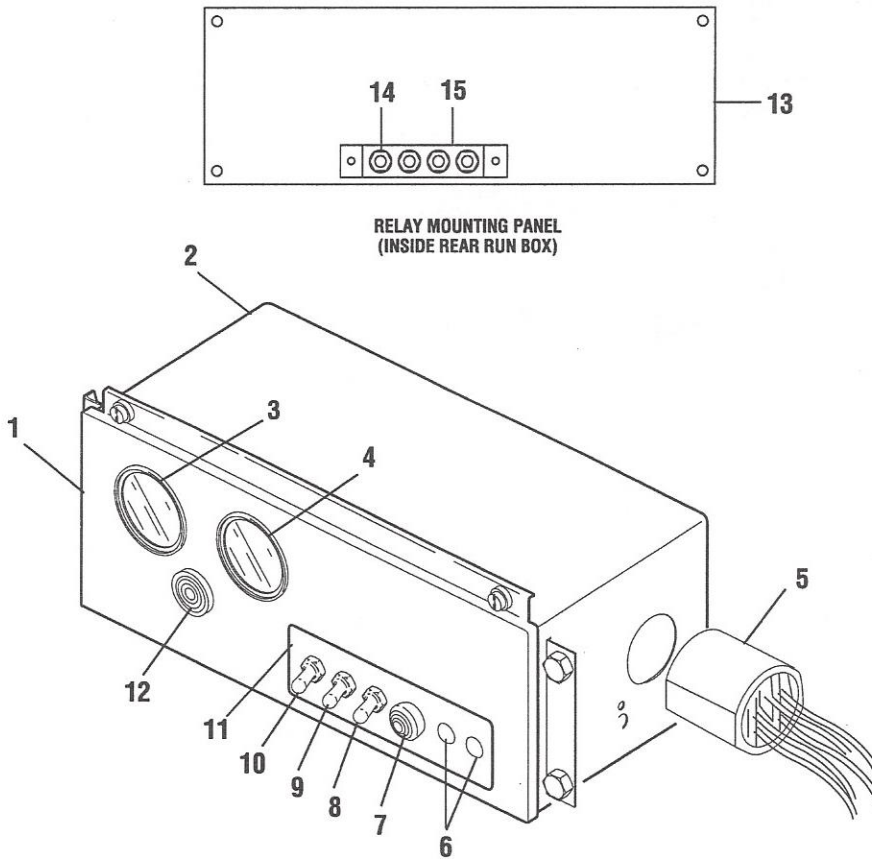


08-126-00

1.	51-19127-220	Switch, Temp 220°	1
	45-22726-000	Adaptor, O-Ring Special	1
2.	51-23245-000	Dual, Temp Warning	1
3.	51-12717-000	Sender, Temp	1
4.	51-00098-000	Sender, Oil Pressure Gauge Rr	1
5.	51-12718-000	Sender, Oil Pressure Gauge	1
6.	51-02339-001	Switch, Low Oil Press Light	1
7.	55-00334-000	Manifold, Fitting	1
8.	55-17735-000	Manifold, Temp Sender	1
	40-19569-000	Brkt, Temp Sender	1
9.	51-00217-000	Switch, Back-Up Lamp	1
10.	53-12086-000	Pulse Generator	1
11.	53-02051-000	Tang, Signal Gen Drive	1
12.	53-23335-000	Adaptor	1
13.	53-23335-001	Tang, Drive	1
14.	53-00761-010	Gear, Driven, 18-Tooth	1
15.	51-17178-000	Switch Asm, Neutral Start	1

Note: * Supplied w/Engine

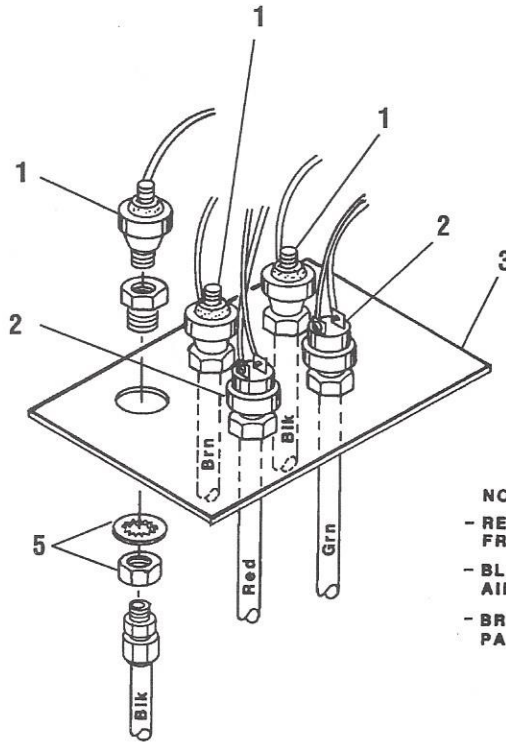
Rear Run Box



08-006-02

1.	42-22316-000	Door Asm, Rr Run Box	1
2.	42-22397-000	Box Asm, Rr Run	1
3.	51-14015-000	Gauge, Water Temp	1
4.	51-14016-000	Gauge, Oil Press	1
5.	42-22518-002	Harness, Rr Run Box	1
6.	53-00356-002	Plug, 1/2"	2
7.	51-00100-000	Switch, Starter Push Button	1
	51-10141-000	Cap, Rubber	1
8.	51-02164-023	Switch, Toggle SPDT Sealed	1
9.	51-02164-022	Switch, Toggle SPDT Sealed	1
10.	51-02164-021	Switch, Toggle DPST Sealed	1
11.	59-21175-000	Decal, Rr Run Relay Mtg	1
12.	51-12096-000	Horn, Warning	1
13.	40-21788-004	Panel, Rr Run Relay Mtg	1
14.	51-00108-005	Block, Terminal 4-Prong	1
15.	40-21604-000	Buss Bar, 4-Prong Terminal Block	1

Brake Warning Switch Panel

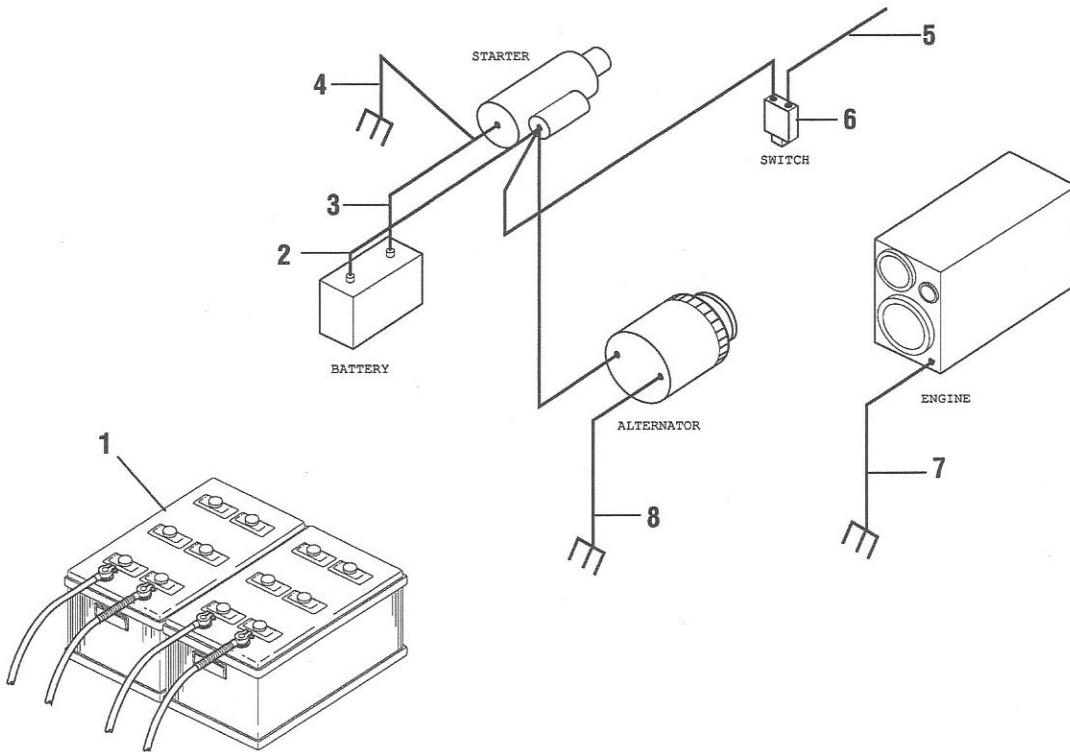


NOTE:
 - RED & GREEN LINES FROM BRAKE VALVE
 - BLACK LINES FROM AIR TANKS
 - BROWN LINE FROM PARKING BRAKE VALVE

CH-09-055

- | | | | |
|----|--------------|----------------------------------|---|
| 1. | 51-00160-004 | Switch, Low Air Pressure | 3 |
| 2. | 51-00072-000 | Switch, Brake Light | 2 |
| 3. | 40-16984-000 | Panel, Switch | 1 |
| 4. | 59-16991-000 | Decal, Brake Switces (Not shown) | 1 |
| 5. | 54-13093-005 | Fig, Blkhd 1/4 NPT x 3/4-16 SAE | 5 |

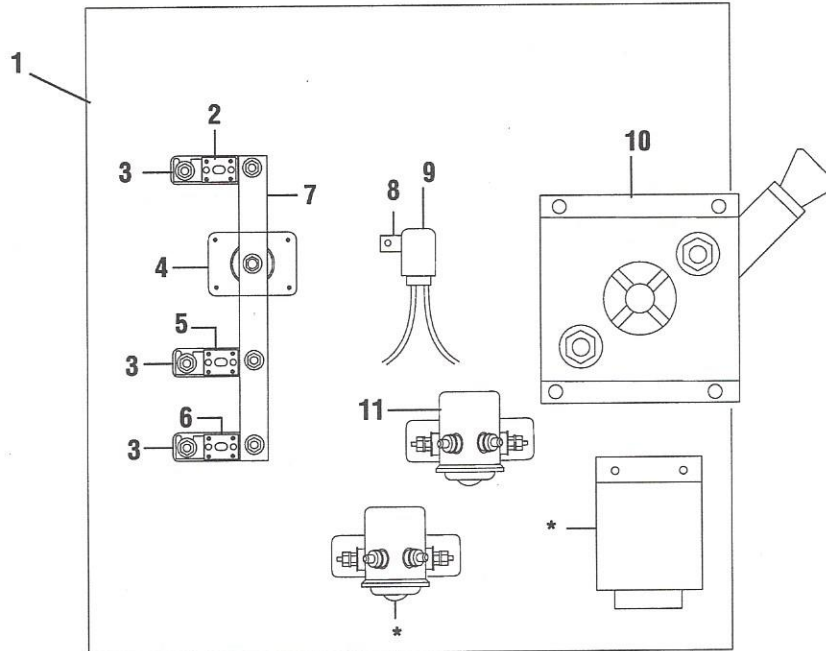
Battery and Cables



CA-09-362

- | | | | |
|-----|--------------|-----------------------------------|---|
| 1. | 50-00201-000 | Battery, 12V Heavy Duty | 1 |
| 2. | 50-11948-003 | Cable Asm, Battery 180" Red | 1 |
| 3. | 50-11948-004 | Cable Asm, Battery 180" Black | 1 |
| 4. | 50-11822-026 | Cable Asm, Ground | 1 |
| 5. | 50-11822-028 | Cable Asm, Power | 1 |
| 6. | 51-00101-000 | Switch, Battery Cutoff | 1 |
| | 59-09885-000 | Decal, "Battery Switch" | 1 |
| 7. | 50-24995-000 | Harness Asm, Engine | 1 |
| 8. | 50-14382-010 | Cable Asm, Black 2 Gauge | 1 |
| 9. | 42-20657-000 | Harness Asm, EPM Interface (N/S) | 1 |
| | 53-02351-000 | Probe, Liquid Level | 1 |
| 10. | 42-17019-000 | Harness Asm Pressure Switch (N/S) | 2 |
| 11. | 42-22025-000 | Harness Asm, Chassis Front (N/S) | 1 |

Main Switch Panel



08-130-00

1.	40-24840-000	Plate, Cut Off Switch Mtg	1
2.	51-19332-200	Fuse, 200 Amp	1
3.	51-19333-000	Block, Fuse	3
4.	51-21459-000	Block, Terminal	1
5.	51-19332-100	Fuse, 100 Amp	1
6.	51-19332-125	Fuse, 125 Amp	1
7.	40-21517-001	Buss Bar	1
8.	50-22989-000	Holder, Fuse	1
9.	51-17529-005	Fuse, 10 Amp	1
10.	51-12244-000	Switch, Cut Off	1
	40-12311-000	Spacer	4
11.	51-00068-000	Relay, 12V	1

Note: * is Supplied w/Engine

