

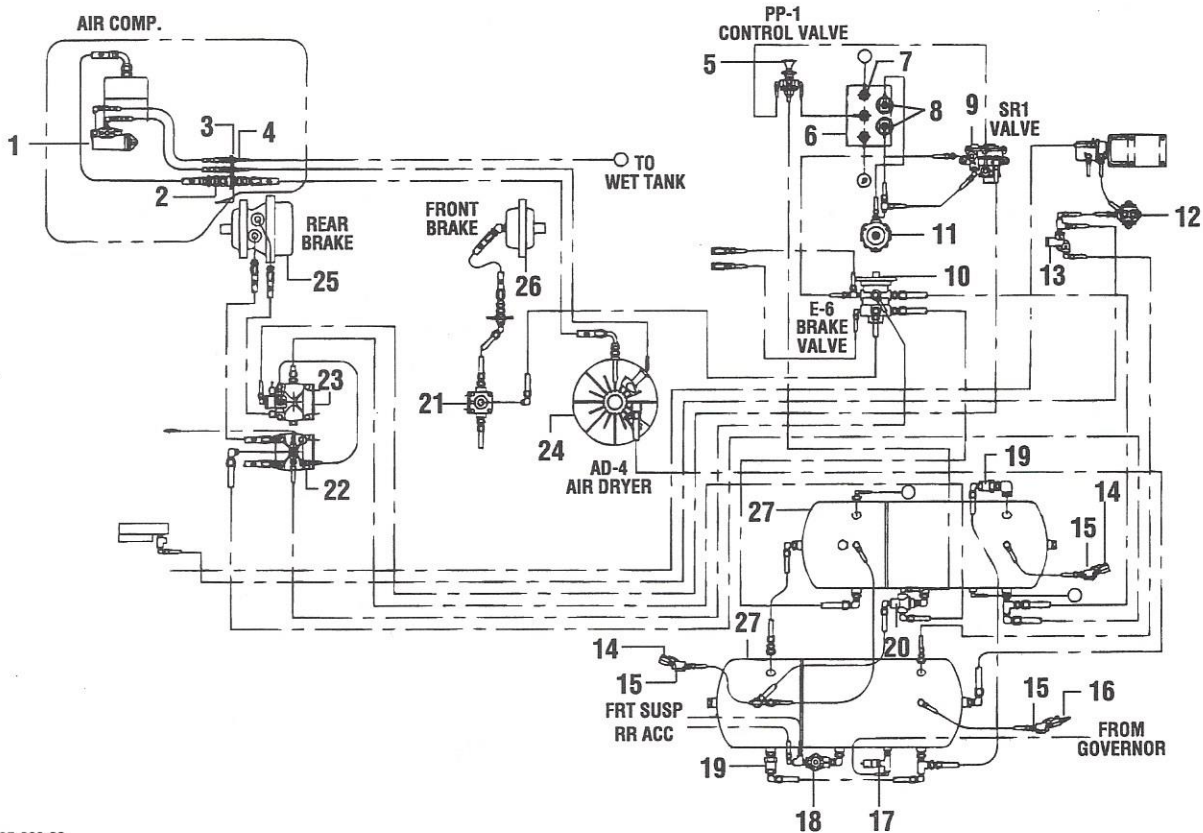
Chapter 5

Air System

Notes

Lined writing area consisting of horizontal lines for notes.

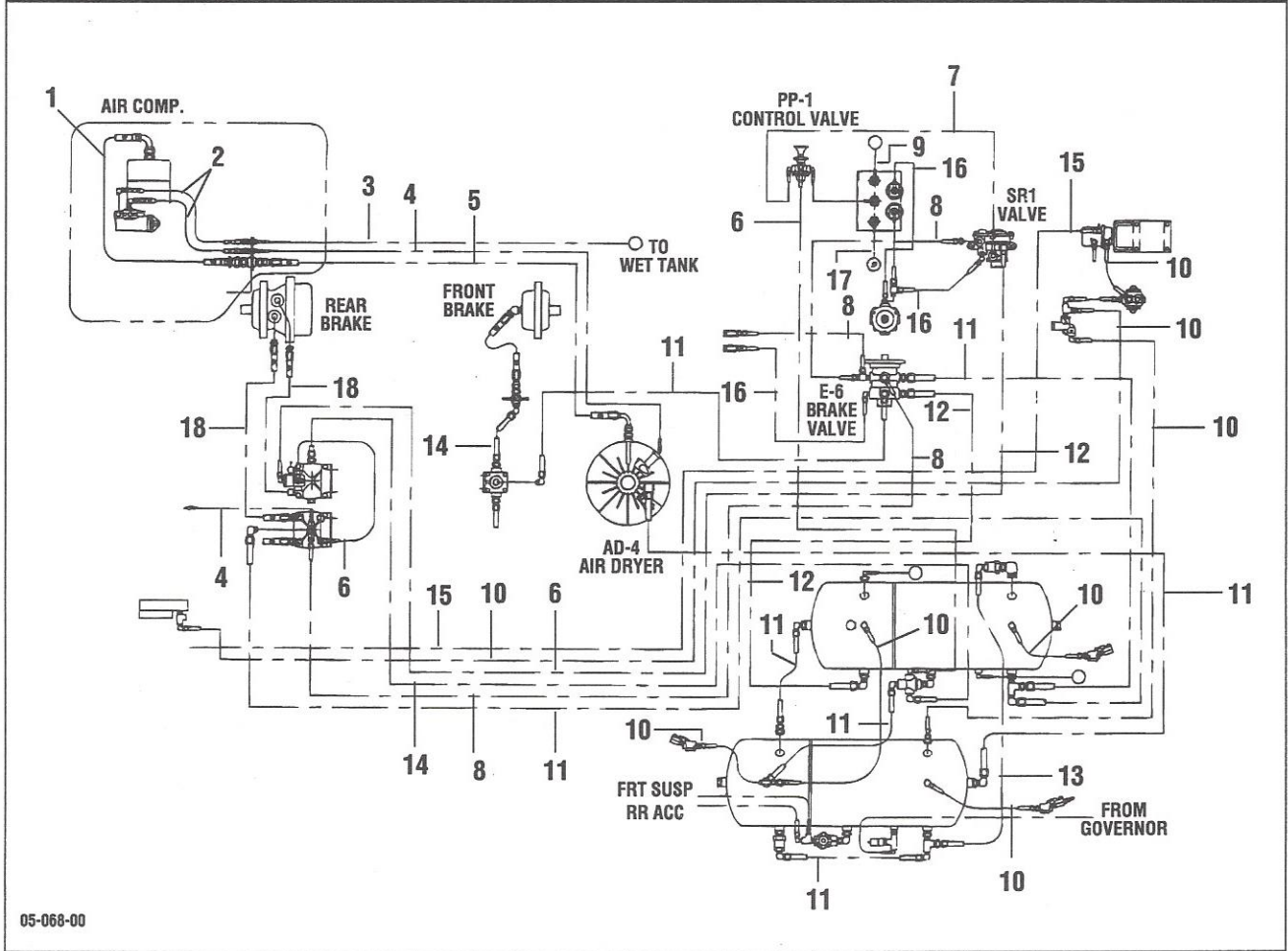
Air System: Major Components



05-068-00

1.	53-00271-000	Governor, Air Comp	1	22.	51-10356-000	Valve, Brake Relay R12	1
	56-00033-000	Gasket, Air Governor	1	23.	53-11924-000	Valve, Brake Relay R14	1
2.	54-13043-009	Bulkhead, Fitting #12	1		40-21884-000	Plate, Relay Valve Mtg	1
3.	40-19424-000	Brkt, Bulkhead Fitting	1		40-21531-000	Brkt, Relay Valve Mtg	1
4.	54-13093-002	Bulkhead, Fitting 1/8"	1	24.	53-16841-000	Air Dryer, 12VDC	1
5.	53-00758-001	Valve, Parking Brake Control	1	25.	53-23317-000	Rear Brake Chamber	1
6.	40-16984-000	Brkt, Switch Mtg	1	26.	53-23200-000	Chamber Asm, LH Brake	1
7.	51-00160-004	Switch, Low Air Press	3		53-23200-001	Chamber Asm, RH Brake (N/S)	1
8.	51-00072-000	Switch, Stoplight	2	27.	55-18880-000	Air Tanks, Dual Chamber	2
9.	53-00467-000	Valve, Spring Brake Control	1				
10.	53-00466-000	Valve, Brake E-6	1				
11.	53-08210-000	Valve, Threadle	1				
12.	55-00274-001	Fitting, Air Manifold	1				
13.	53-00319-000	Valve, Press Control	1				
14.	53-20873-000	Valve, Air Tank Drain 1/4"	3				
15.	53-09370-000	Anchor, Coupling Elbow	3				
16.	53-02113-000	Quick, Disconnect	3				
17.	73-00276-000	Valve, Safety	2				
18.	53-15022-002	Valve, Air Protection	1				
19.	53-21756-000	Valve, Single Check 1/2"	2				
20.	50-20338-000	Valve, Double Check	1				
21.	53-21580-000	Valve, Quick Release QR-1	1				

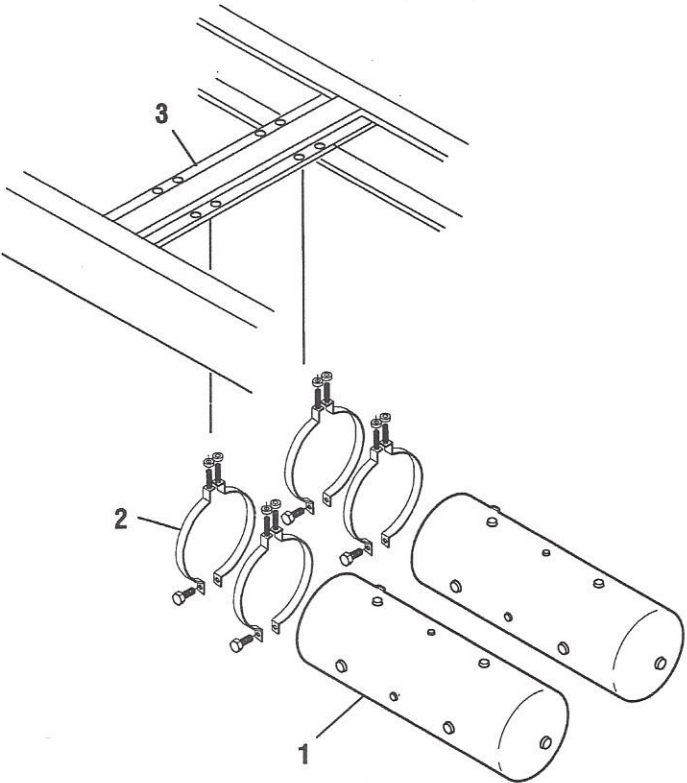
Air System: Piping



05-068-00

- | | |
|---------------------------------------|-----|
| 1. 46-12D3030-0550 Hose Asm | 1 |
| 2. 46-04A111-0470 Hose Asm | 2 |
| 3. 56-21887-000 Tubing, Nylon Orange | A/R |
| 4. 56-14036-000 Tubing, Nylon Black | A/R |
| 5. 46-12A1014-3180 Hose Asm | 1 |
| 6. 56-14053-000 Tubing, Nylon Brown | A/R |
| 7. 56-21888-000 Tubing, Nylon Brown | A/R |
| 8. 56-14050-000 Tubing, Nylon Green | A/R |
| 9. 56-14049-000 Tubing, Nylon Green | A/R |
| 10. 56-14037-000 Tubing, Nylon Black | A/R |
| 11. 56-14052-000 Tubing, Nylon Green | A/R |
| 12. 56-21886-000 Tubing, Nylon Red | A/R |
| 13. 56-14051-000 Tubing, Nylon Green | A/R |
| 14. 56-14054-000 Tubing, Nylon Brown | A/R |
| 15. 56-14056-000 Tubing, Nylon Silver | A/R |
| 16. 56-14041-000 Tubing, Nylon Red | A/R |
| 17. 56-14040-000 Tubing, Nylon Red | A/R |
| 18. 46-08E116-0180 Hose Asm | 2 |

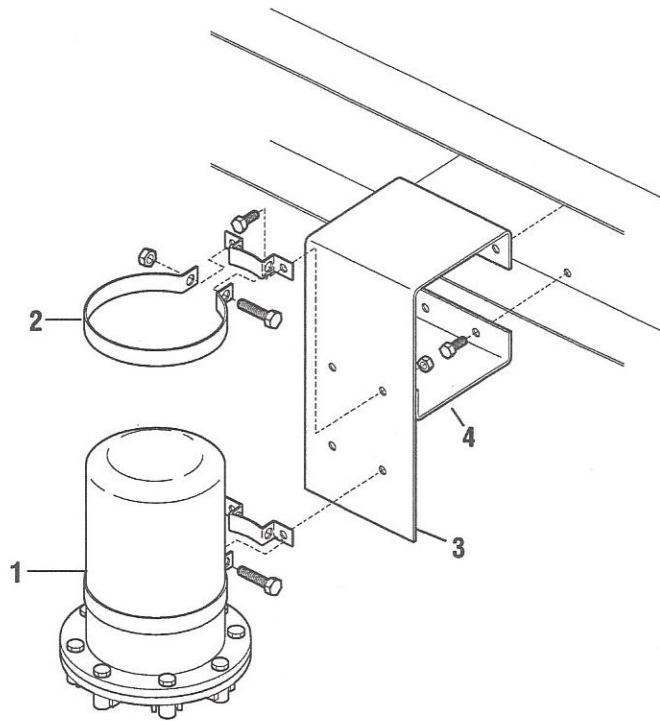
Air Tanks and Mounting



05-003-01

- | | | | |
|----|--------------|-------------------------|-----|
| 1. | 55-18880-000 | Air Tanks, Dual Chamber | 2 |
| | 56-02138-000 | Tape, Adhesive 1.0" | A/R |
| 2. | 53-11668-000 | Brkt, Air Tank | 4 |
| 3. | 42-17740-000 | Brkt, Central Air Tank | 1 |

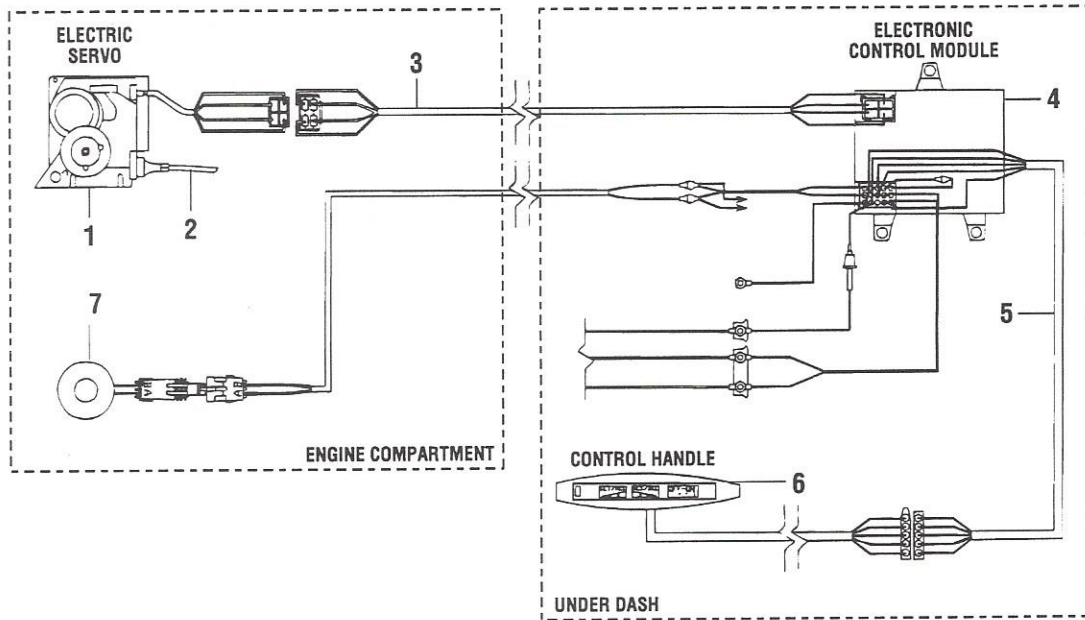
Air Dryer Mounting



PA-05-080

- | | | |
|-----------------|-------------------------------|---|
| 1. 53-16841-001 | Air Dryer, 12VDC | 1 |
| 2. Furn w/Dryer | Clamp Asm, Air Dryer Mtg | 2 |
| 3. 40-22990-000 | Brkt Asm, Air Dryer Support | 1 |
| 4. 40-22991-000 | Brkt, Lower Air Dryer Support | 1 |

Cruise Control Schematic: Zemco



05-069-00

1.	51-24763-002	Actuator Asm, Electrical	1
2.	51-24763-006	Cable Asm, Flexible	1
3.	51-12287-007	Cable, 4 Wire	1
4.	51-24763-003	Control Module, Electronic	1
5.	51-24763-004	Wiring Harness	1
6.	51-24763-001	Command Module	1
7.	51-24763-007	Cable Tach Sensor Kit	1
8.	51-24763-000	Kit, Cruise Control, Zemco	1

