

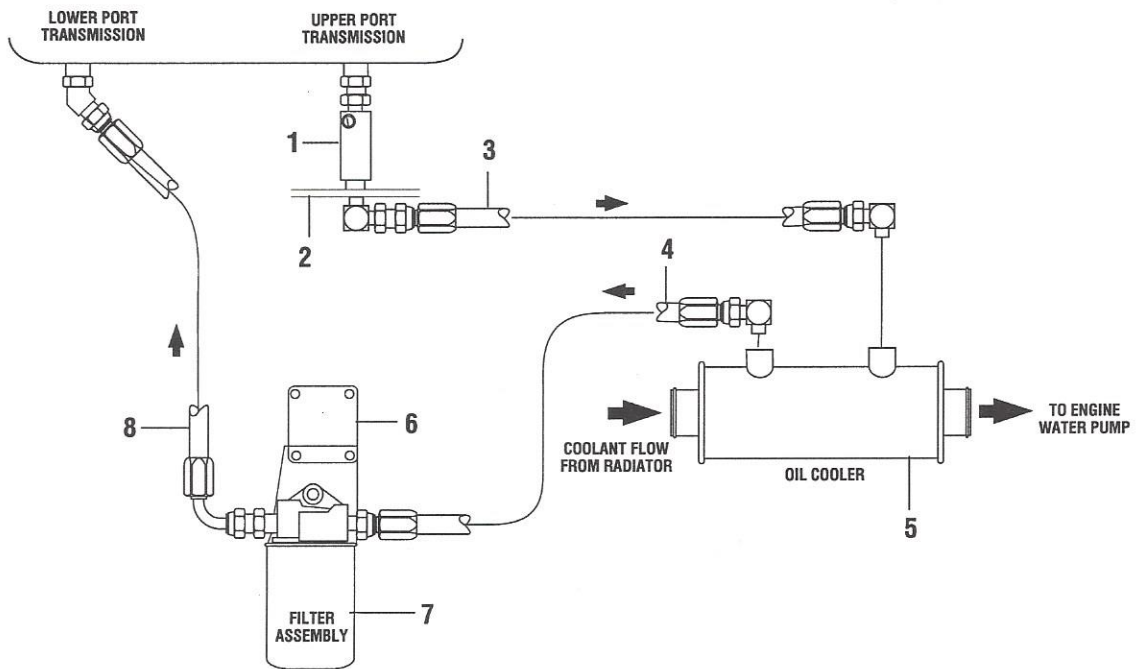
# **Chapter 2**

# **Transmission**





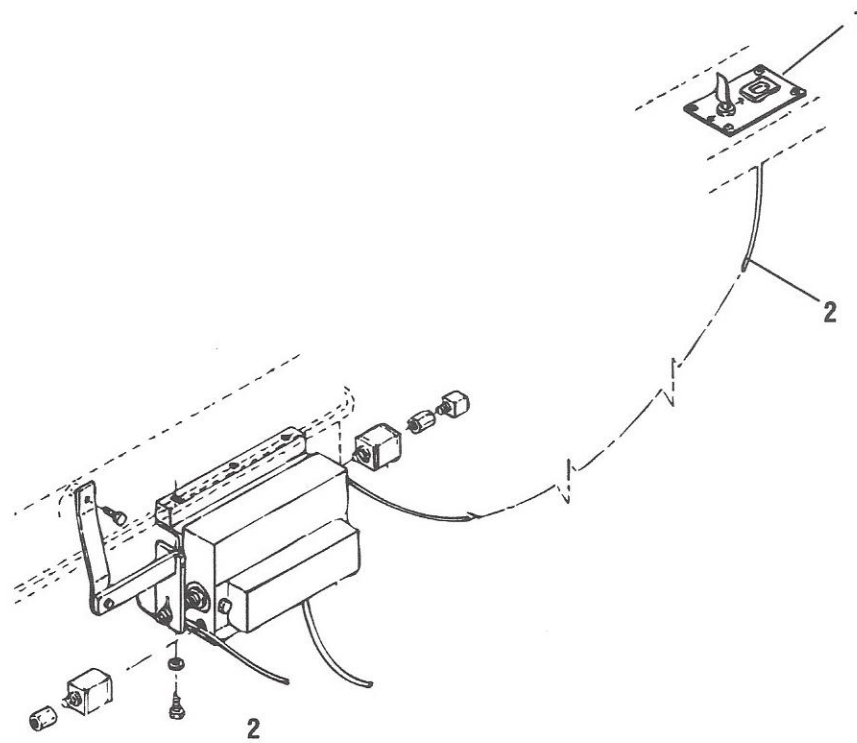
**Transmission Cooling System**



02-003-01

- |    |                 |                        |   |
|----|-----------------|------------------------|---|
| 1. | 55-17735-000    | Manifold, Temp Sender  | 1 |
| 2. | 42-24992-000    | Brkt Asm, Manifold Mtg | 1 |
| 3. | 46-16A1010-0280 | Hose Asm               | 1 |
| 4. | 46-16A1010-0160 | Hose Asm               | 1 |
| 5. | Ref: Page 1-4   | Trans Oil Cooler       | 1 |
| 6. | 40-25011-000    | Brkt, Trans Filter Mg  | 1 |
| 7. | 53-11639-000    | Filter Asm, Trans      | 1 |
| 8. | 46-16A1014-0320 | Hose Asm               | 1 |

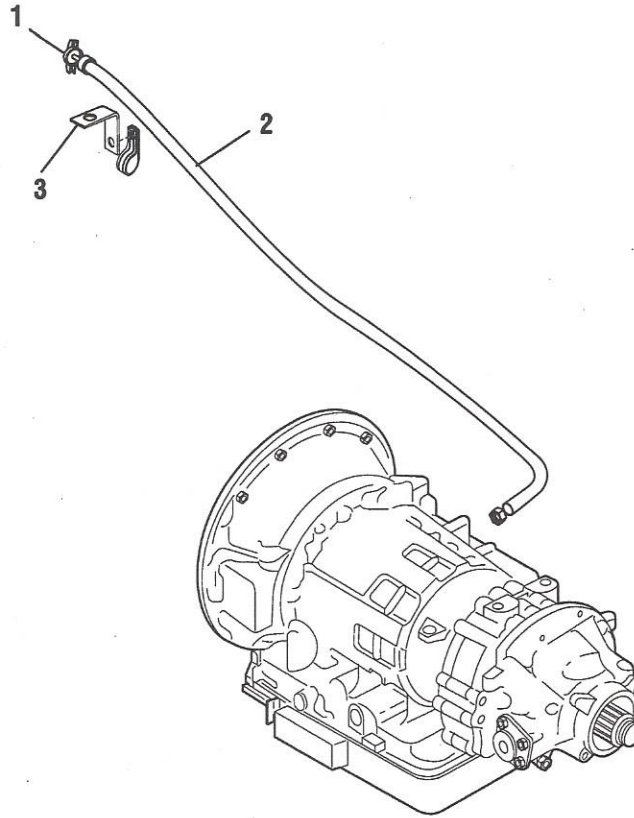
**Transmission Shifter**



PA-09-004

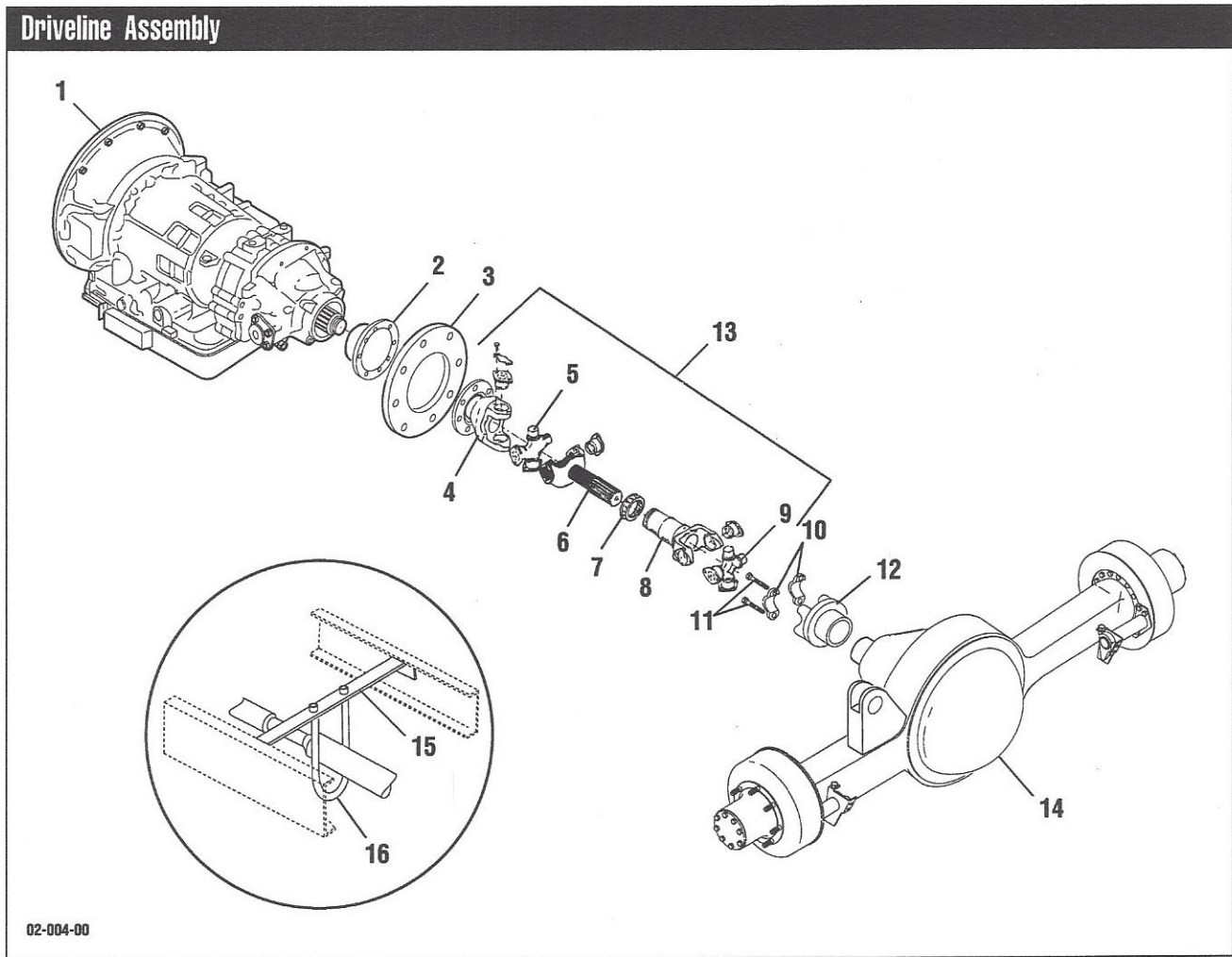
- |    |              |                           |   |
|----|--------------|---------------------------|---|
| 1. | 53-16762-000 | Kit, Trans Shifter        | 1 |
| 2. | 42-15746-000 | Harness Asm, Shifter Unit | 1 |

**Transmission Dipstick**



02-005-00

- |    |              |                 |   |
|----|--------------|-----------------|---|
| 1. | 53-02298-004 | Gauge, Dipstick | 1 |
| 2. | 53-07693-001 | Tube, Dipstick  | 1 |
| 3. | 40-24550-000 | Brkt, Standoff  | 1 |



02-004-00

1.	53-24184-000	Transmission Asm, M1643	1
2.	53-15383-000	Damper, Driveline	1
3.	53-00414-000	Flange, Comp, 1610 Series	1
4.	82-06874-002	Yoke, Flange, 1610 Series	1
5.	82-06871-000	U-Joint, Cross Kit, 1610 Series	1
6.	82-09783-001	Shaft, Stub Yoke	1
7.	82-09783-002	Seal, Dust	1
8.	82-09783-003	Shaft, Slip Yoke	1
9.	82-09783-004	U-Joint, Cross Kit (Special)	1
10.	53-22644-001	Strap, U-Joint Mtg	2
11.	53-22644-002	Bolt, U-Joint Mtg	4
12.	82-09778-005	Yoke Diff, 1610 Series	1
13.	53-22405-001	Driveline Asm, 1610 Series	1
14.	53-23149-001	Axle Asm, Rr RS17145 Stud	1
15.	42-10153-000	Support Asm, Driveline Guard	1
16.	55-10031-000	U-Bolt, Driveline Guard	1